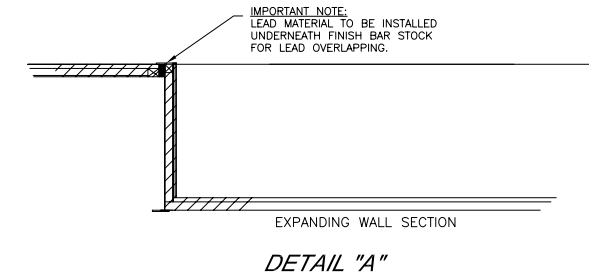
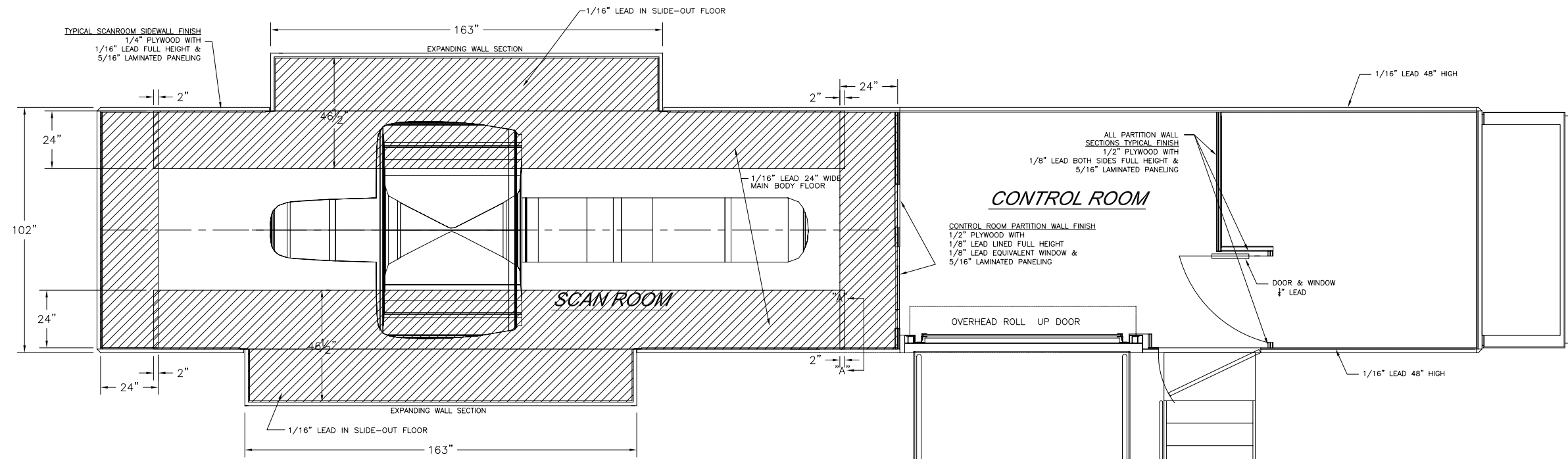
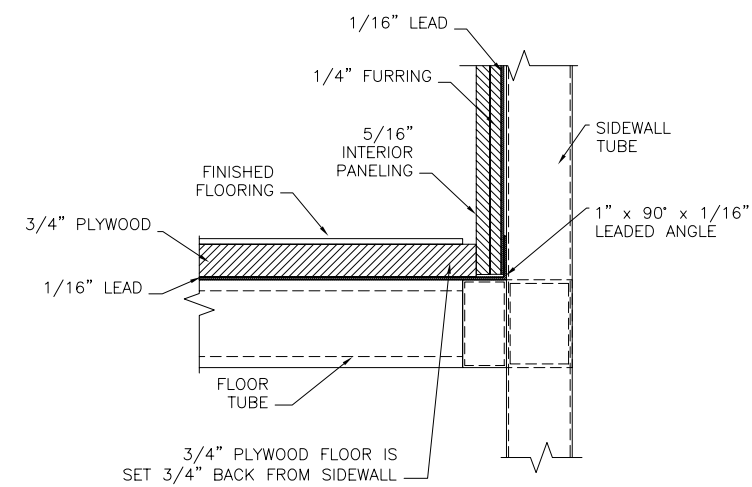


REVISIONS					
REV.	REV. DATE	CHK. BY	CHK. DATE	ENG.	DESCRIPTION
08	27DEC04	CLH	1/25/07	WL	CHANGE PLYWOOD TO 1/4"



PLAN VIEW

IMPORTANT NOTE:
ALL WALLS IN SCAN ROOM INCLUDING EXPANDING WALL SECTIONS TO BE 1/16" LEAD LINED.
LEAD IN SCAN ROOM WALL TO BE A MINIMUM OF 84" ABOVE FINISHED FLOOR
ALL FLOOR, WALL AND CORNER SEAMS TO HAVE OVERLAPPING LEAD



SECTION "A-A"
SCALE: 1:2

THIS DRAWING IS PROVIDED ON A CONFIDENTIAL BASIS SUBJECT TO RETURN ON DEMAND OF OSHKOSH SPECIALTY VEHICLES ("OSHKOSH"), WHICH RETAINS ANY AND ALL RIGHTS ASSOCIATED WITH IT AND THE ARTICLE OR ARTICLES IT REPRESENTS. DISCLOSURE, REPRODUCTION OR ALTERATION OF ANY PART OF THIS DRAWING, OR MANUFACTURE, USE OR SALE OF THE ARTICLE OR ARTICLES REPRESENTED, IS PROHIBITED WITHOUT THE PRIOR WRITTEN AUTHORIZATION OF OSHKOSH. © OSHKOSH SPECIALTY VEHICLES (unpublished).

CUSTOMER AUTHORIZATION	
COMPANY NAME:	
NAME (PRINT):	TITLE:
SIGNATURE:	DATE:

SHEET NUMBER:	REFERENCE DRAWING:	TITLE:	DATE:	SCALE:
		LEAD REQUIREMENTS - PLAN VIEW GE MEDICAL SYSTEMS DISCOVERY ST PET/CT 8'-6" x 13'-6" x 48'-0" TRAILER	24SEPT03	1/2" = 1'-0"
JOB#			DRAWN BY: C.N.M.	
			CHECKED BY: DATE: DRAWING NUMBER: 10227-A18	
		16745 S. LATHROP AVENUE HARVEY, IL, 60426 PHONE: (708) 596-5066 FAX: (708) 596-2480		