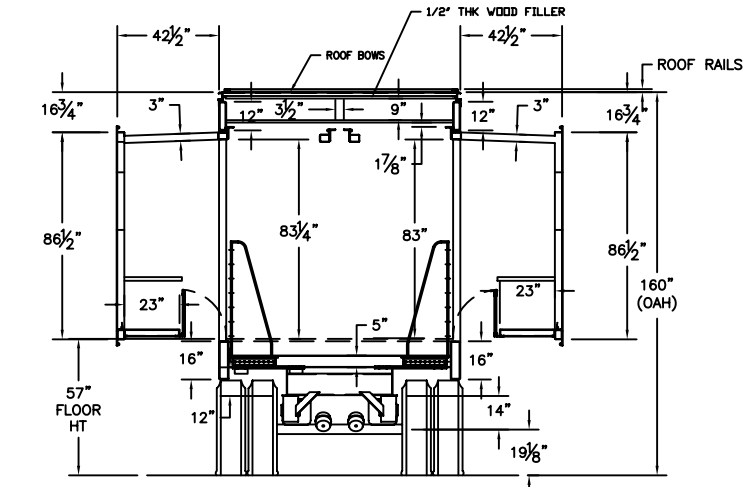
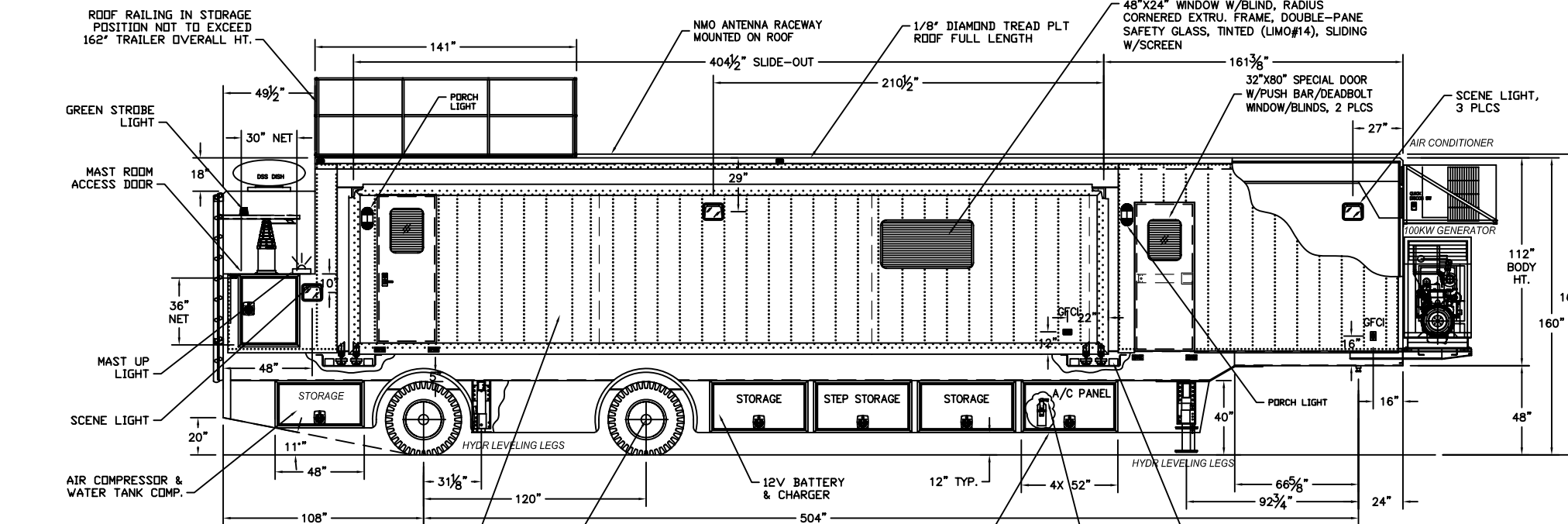
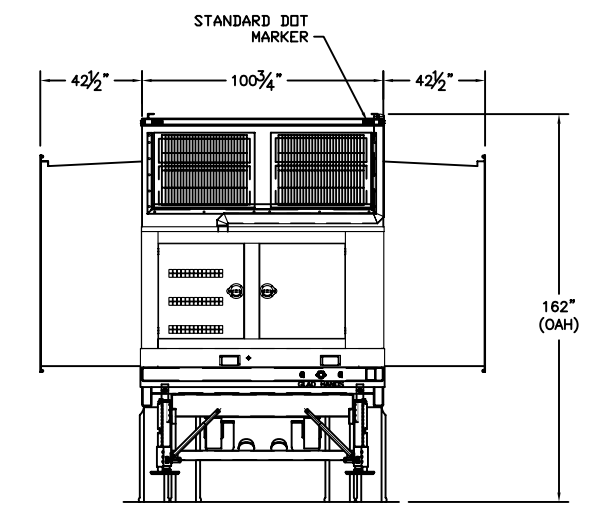
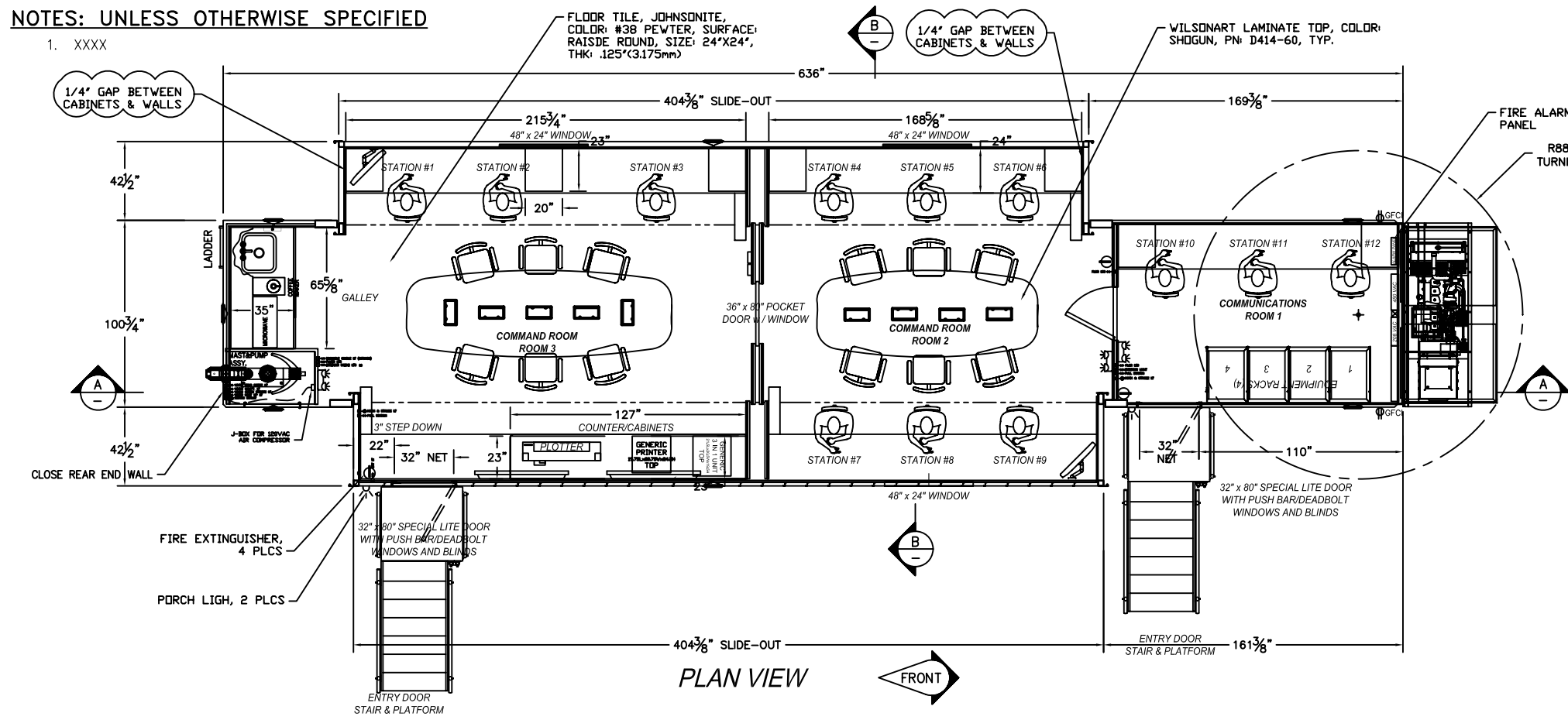


NOTES: UNLESS OTHERWISE SPECIFIED

1. XXXX

REVISIONS				
REV	DESCRIPTION	DATE	DRAWN BY	APPROVED
3	UPDATED MAST COMPARTMENT ADD FRONT INT VIEW	7/8/05	RL	
4	UPDATE NAME BLOCK	7/15/05	RL	
A	RELOCATED SWITCHES IN ROOM 1&2	8/19/05	RL	
B	LOCATED THERMOSTAT IN COMMAND ROOM #3	10/19/05	RL	
C	LOCATED FIRE EXTINGUISHERS	10/24/05	RL	
D	ADDED NOTE: 1/4" GAP BETWEEN END CABINETS & WALLS	12/07/05	MJL	



QTY	DESCRIPTION	PART NUMBER	MANUFACTURER	VENDOR/SUPPLIER No.
Bill Of Material				

NOTICE : PROPRIETARY INFORMATION
 ALL TECHNICAL INFORMATION AND THE DESIGN DISCLOSED IN THIS DRAWING OR IN ANY ACCOMPANYING TECHNICAL DATA WAS ORIGINATED BY AND IS THE PROPERTY OF AMPSYSTEMS, ADVANCED MOBILE PRODUCTS DIVISION. ALL PROPRIETARY, DESIGN, MANUFACTURING, REPRODUCTION, USE AND SALES RIGHTS IN ANY INFORMATION DISCLOSED HEREIN ARE RESERVED BY AMPSYSTEMS, ADVANCED MOBILE PRODUCTS DIVISION. NO RIGHT OR LICENSE TO USE ANY SUCH INFORMATION FOR ANY PURPOSE OTHER THAN AS NECESSARY FOR USE OR MAINTENANCE OF AMPSYSTEMS, ADVANCED MOBILE PRODUCTS DIVISION PRODUCTS IS GRANTED BY SALE OF ANY PRODUCT DESCRIBED HEREIN WITHOUT PRIOR WRITTEN CONSENT OF AMPSYSTEMS, ADVANCED MOBILE PRODUCTS DIVISION.

UNLESS OTHERWISE SPECIFIED: DIMENSIONS ARE IN INCHES TOLERANCES	CONTRACT NO.	AK SPECIALTY VEHICLES		7888 Lincoln Avenue Riverside, Ca. 92504-4443 (909) 689-3900
FRACTIONS: ANGULAR: 1/8" 1/16"	APPROVALS	DATE	TITLE	
DO NOT SCALE DRAWING	R. LEUNG	6/15/05	INDIANA DEPARTMENT OF HOMELAND SECURITY	
TREATMENT	CREATED		SIZE	CAGE CODE
FRESH	R. LEUNG	6/15/05	D	01572
USE WITH DRAWING(S)	JOB NUMBER	7896	DWG. NO.	1194T-01
	CUSTOMER	INDIANA STATE POLICE	SCALE	3/8"=1'-0"
			RELEASE DATE	SHEET 1 OF 1

CURBSIDE EXTERIOR ELEVATION VIEW

