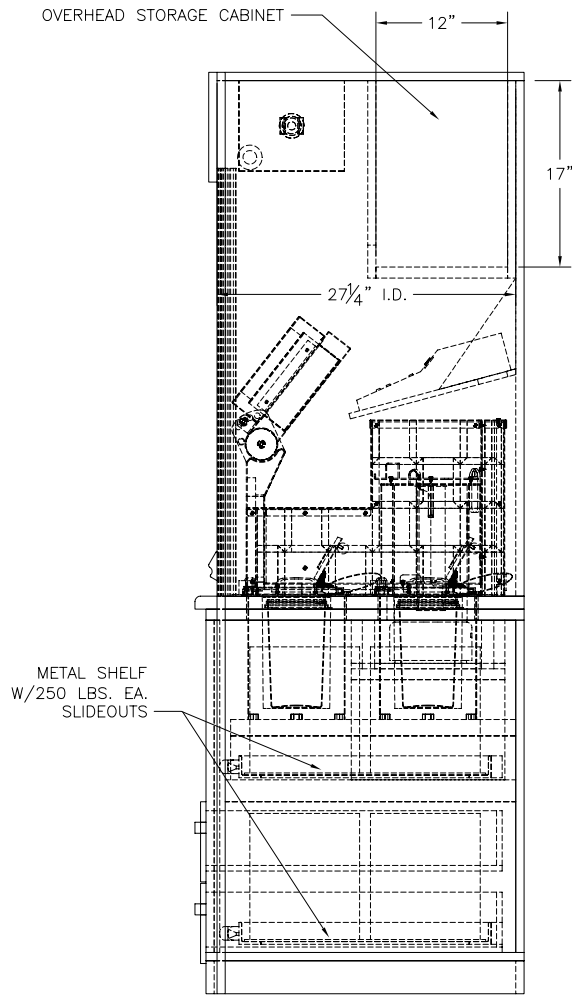
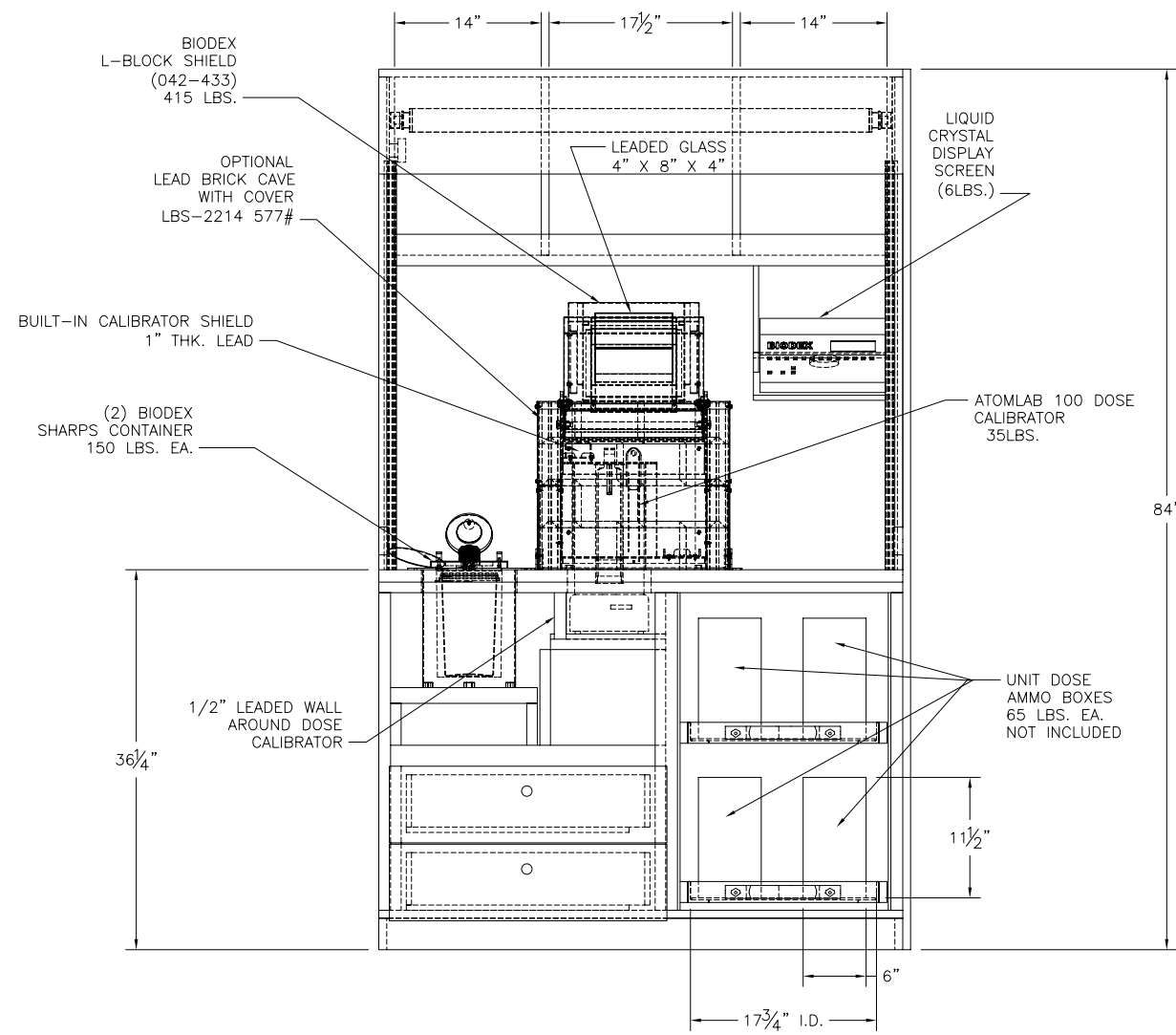
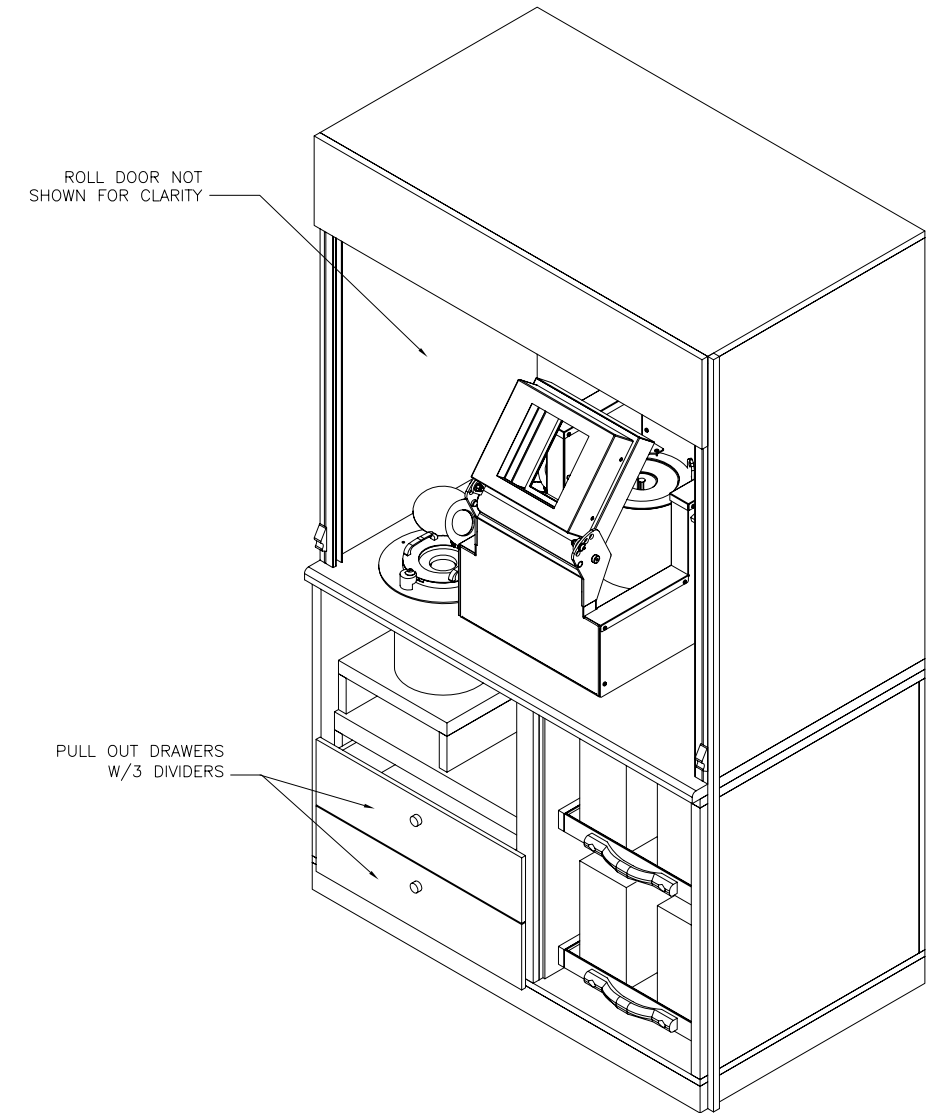
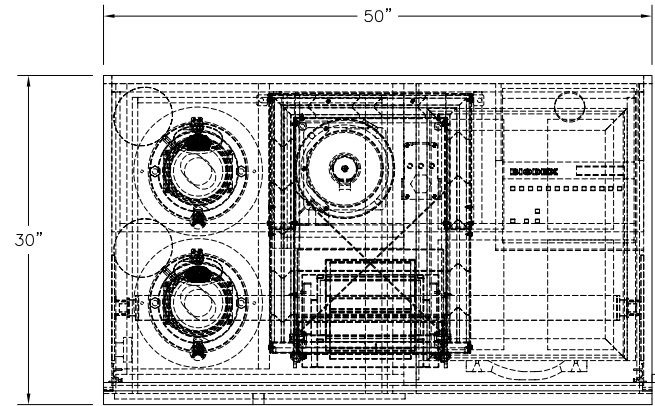


REVISIONS					DESCRIPTION
REV.	REV. DATE	CHK. BY	CHK. DATE	ENG.	
00					



NOTE: REF. TO OSV CABINET DOCUMENT ESD-0001
 BLUE CONFIGURATION:
 Countertop: Corian Oceanic Blue
 Crash rail: style# scr-40 111 wedge wood blue
 Cabinet Edge: Wilsonart D-25-60 Atlantis

CUSTOMER AUTHORIZATION

COMPANY NAME: _____

NAME (PRINT): _____ TITLE: _____

SIGNATURE: _____ DATE: _____

THIS DRAWING IS PROVIDED ON A CONFIDENTIAL BASIS SUBJECT TO RETURN ON DEMAND OF OSHKOSH SPECIALTY VEHICLES ("OSHKOSH"), WHICH RETAINS ANY AND ALL RIGHTS ASSOCIATED WITH IT AND THE ARTICLE OR ARTICLES IT REPRESENTS. DISCLOSURE, REPRODUCTION OR ALTERATION OF ANY PART OF THIS DRAWING OR MANUFACTURE, USE OR SALE OF THE ARTICLE OR ARTICLES REPRESENTED, IS PROHIBITED WITHOUT THE PRIOR WRITTEN AUTHORIZATION OF OSHKOSH, © OSHKOSH SPECIALTY VEHICLES (unpublished).

SHEET NUMBER: 1 OF 1	REFERENCE DRAWING:	TITLE: DISPENSING CABINET EQUIPMENT (INSIGHT HEALTH) GE MEDICAL SYSTEMS DISCOVERY ST PET/CT 8'-6" X 13'-6" X 48'-0" TRAILER	DATE: 28MAR05	SCALE: 1-1/2"=1'-0"
JOB#		OSHKOSH SPECIALTY VEHICLES	16745 S. LATHROP AVENUE HARVEY, IL, 60426 PHONE: (708) 596-5066 FAX: (708) 596-2480	CHECKED BY:
				DRAWING NUMBER: 12193-A42